

KRIMA REFINER TYPE KR
A RESULT OF 40 YEARS' EXPERIENCE AND
CONTINUOUS DEVELOPMENT.

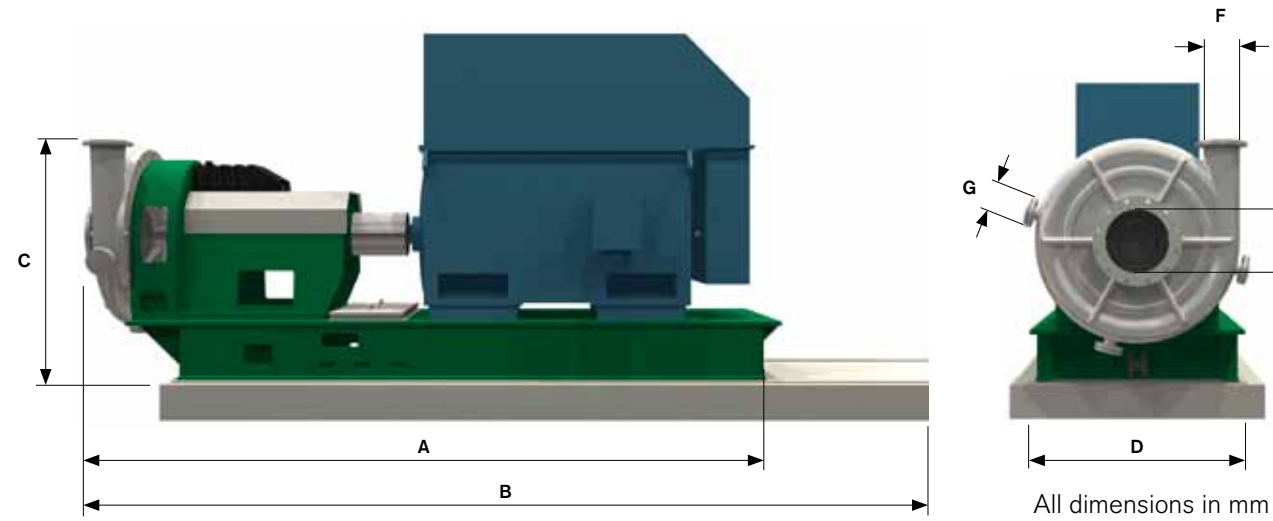


Krima Refiner type KR

KRIMA REFINER TYPE KR:

- Optimum performance.
- Low energy consumption.
- Different refining discs.
- Long lifetime.
- Easy maintenance.
- Many different applications such as pulp, chips, rejects etc.
- Discharge consistency 3 - 35 %.
- Capacity range 10 - 600 TPD.

TECHNICAL DATA



Type (Size)	Disc Ø	Ratio rpm (60 HZ)	Length A	Service I. B	Height C	Width D	Inlet Ø E	Outlet Ø F	Dilution water Ø G	Weight kg excl. motor
KR-450	450	1200/1500	3350	4250	1215	1250	250	125	DN40 (2pcs)	3800
KR-710	710	1200/1500	3700	4600	1350	1250	350	150	DN80 (3pcs)	4000
KR-1050	1050	1200/1500	4450	6000	1650	1450	400	200	DN80 (4pcs)	6500
KR-1250	1250	1200/1500	5550	-	1750	1600	500	300	DN100 (4pcs)	7000

CAPACITY FIGURES

Capacity values for the Krima Refiner type KR will vary because the type KR may be used for various materials. The following values may be used as guidelines for high consistency refining.

Type of Refiner	Capacity
KR-450	0 - 35 TPD
KR-710	25 - 150 TPD
KR-1050	125 - 400 TPD
KR-1250	350 - 600 TPD
Inlet consistency	6 - 35 %
Outlet consistency	3 - 35 %
Installed motor	
KR-450	90 - 250 kW
KR-710	160 - 800 kW
KR-1050	710 - 2000 kW
KR-1250	1800 - 3000 kW



Cellwood Machinery AB • Box 65 • SE-571 21 NÄSSJÖ • SWEDEN • Phone +46 380-760 00 • Fax +46 380-141 23
Street address • Storgatan 53 • SE-571 32 NÄSSJÖ • SWEDEN • E-mail sales@cellwood.se • www.cellwood.se



KRIMA
Refiner
TYPE KR



KRIMA Refiner

TYPE KR

KRIMA Refiner is designed for high consistency treatment. The best results are reached when the inlet consistency is between 20 and 35 %.



The technically superior and patented infeed zone allows treatment of all types of fibers without risk of blocking.

The infeed zone also contributes to the very low energy consumption.

The Refining provides a high pumping effect which feeds the pulp directly to the required station, i.e. machine vat or storage tower.

In order to achieve maximum pumping effect, the rotor can be equipped with special pump flights.

An outlet consistency of up to 15 % can be reached in the standard refining housing. High consistency outlet can be reached by using a HC refining house configuration.

DESCRIPTION

The KRIMA Refiner is mounted on a baseplate on which the main motor is also situated. This arrangement allows a perfect alignment between the refiner and the motor shaft.

All parts in contact with the pulp are manufactured in acid-proof steel. All other parts are sandblasted and coated with an epoxy-paint. The protective covers for the coupling and lubrication system are manufactured in polished stainless plate. The inspection openings are covered with plexiglass.

DISC GAP SETTING

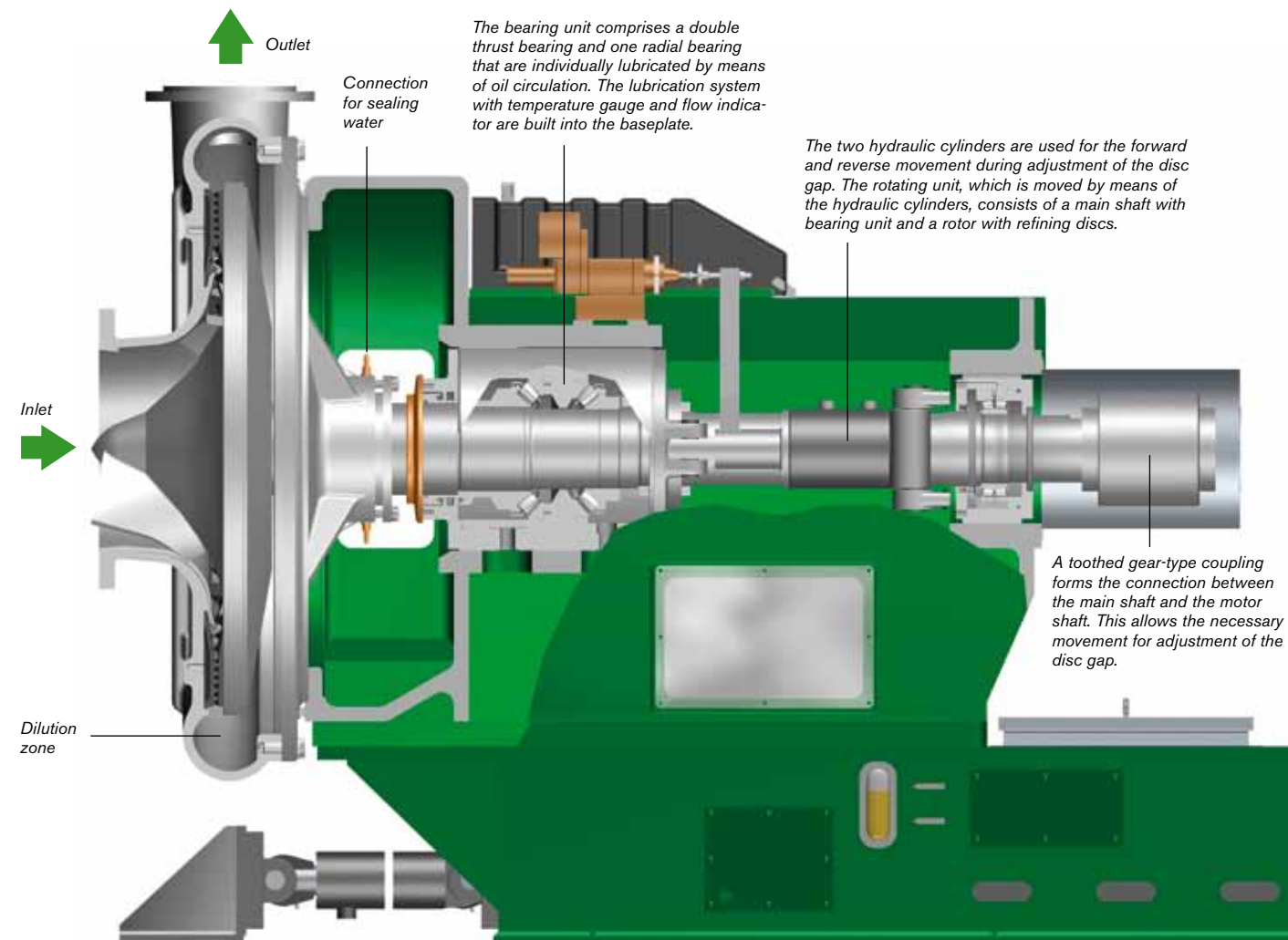
The disc gap can be adjusted either by mechanical-hydraulic or electro-hydraulic systems. Adjustment can take place during operation with either method and possibility of remote control is standard. The setting accuracy with both methods is 0.01 mm.



CONTROL PANEL

The Control Panel includes the electronic system DGC for disc gap control as well as the alarms and maintenance functions.

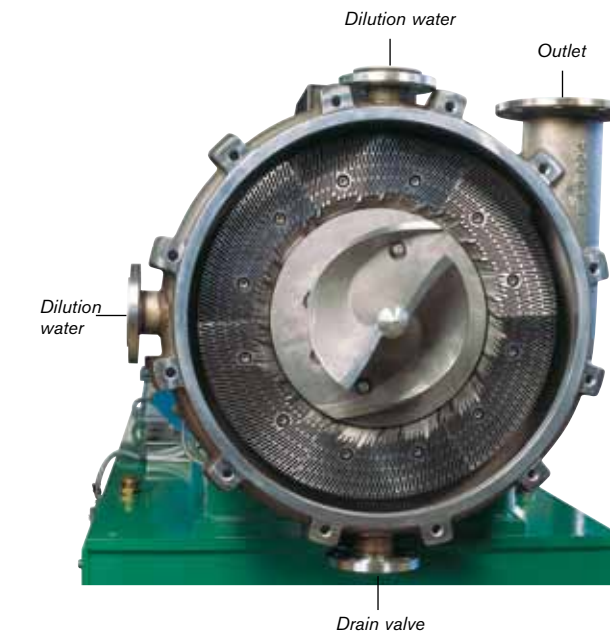
The Control Panel will be made according to customer's requirements and is manufactured of a water proof stainless steel cabinet with plexiglass covered door.



REFINING DISCS

Cellwood Machinery AB has produced special refining discs to allow the fibres to be treated as optimal as possible.

Flexible discharge consistency from 3 - 35 %.



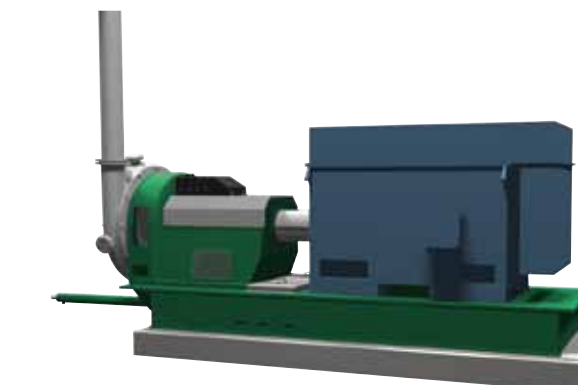
Discharge consistency 3 - 15 %



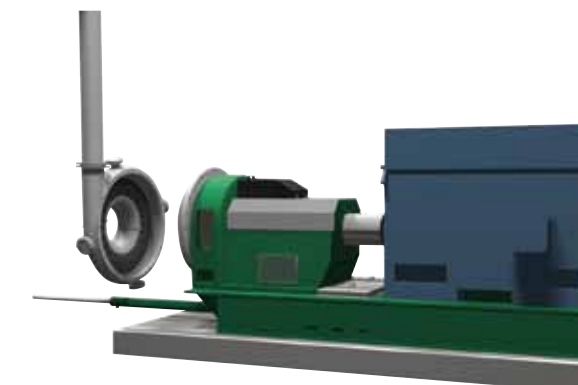
Discharge consistency 25 - 35 %

SERVICE

KRIMA Refiner has a unique service function for easy and fast maintenance.



Refiner closed



Refiner open